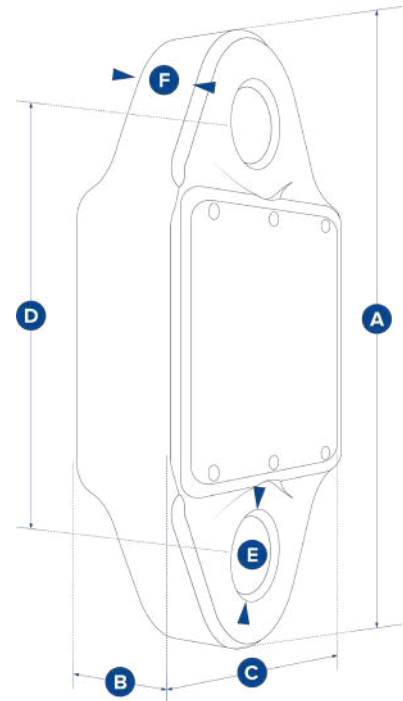


# BlueLink



Designed to replace outdated mechanical products still in the field, this 14,300lb (6500kg) dynamometer, the BlueLink, is the latest Crosby Straightpoint product to feature proprietary Bluetooth wireless technology.



The Bluetooth signal effortlessly connects to any iOS or Android smartphone that has our free HHP app installed, providing the operator with a wireless range of up to 328ft or 100m. This allows them to stand in a safe position from the load with no requirement to read a load on the loadcell itself. The app also allows the operator to log data versus time, or on events such as over- or under-load. An adjustable alarm will alert the operator on their smartphone if any overload is occurring.

Rigged using industry standard Crosby G2130 Shackles, the BlueLink has been designed to minimize headroom (6.14 in or 156mm from eye to eye). With a design factor of over 500%, its compact lightweight design does not sacrifice on strength.

Constructed from high-quality aerospace grade aluminum, which is then hard-anodized, BlueLink features an advanced internal design structure. This design provides the product with an unrivaled strength to weight ratio. The use of a separate internal sealed enclosure administers the loadcell's electronic components with IP67 or NEMA6 environmental protection, even with the battery cover plate missing. All these features makes it an industry-leading compact dynamometer, even more suitable for use in the harshest industrial or leisure environments.

The BlueLink is powered by four standard AA alkaline batteries that provide in excess of 500 hours transmission time. Its internal antenna ensures safe transmissions of loads to an accuracy of  $\pm 0.2\%$  FS.

Part Numbers SP	<b>BLD6T5</b>
Crosby	2789218
Capacity	6.5 t 14,300 lb
Resolution	0.001 t 2 lb
Weight	1.5 kg 3.3 lb
Design Factor	5:1
Battery Type	4 x AA alkaline batteries
Battery Life	500 hours
Operating Temperature	-10°C to +50°C / 14°F to 122°F
Accuracy	$\pm 0.2\%$ of full scale
Range	100 meters / 328 feet
Data Rate	3 Hz
Protection	IP67 / NEMA6
Dimension A	224 mm 8.82 in
Dimension B	44 mm 1.73 in
Dimension C	113.6 mm 4.47 in
Dimension D	156 mm 6.14 in
Dimension ØE	27.5 mm 1.08 in
Dimension F	33 mm 1.3 in